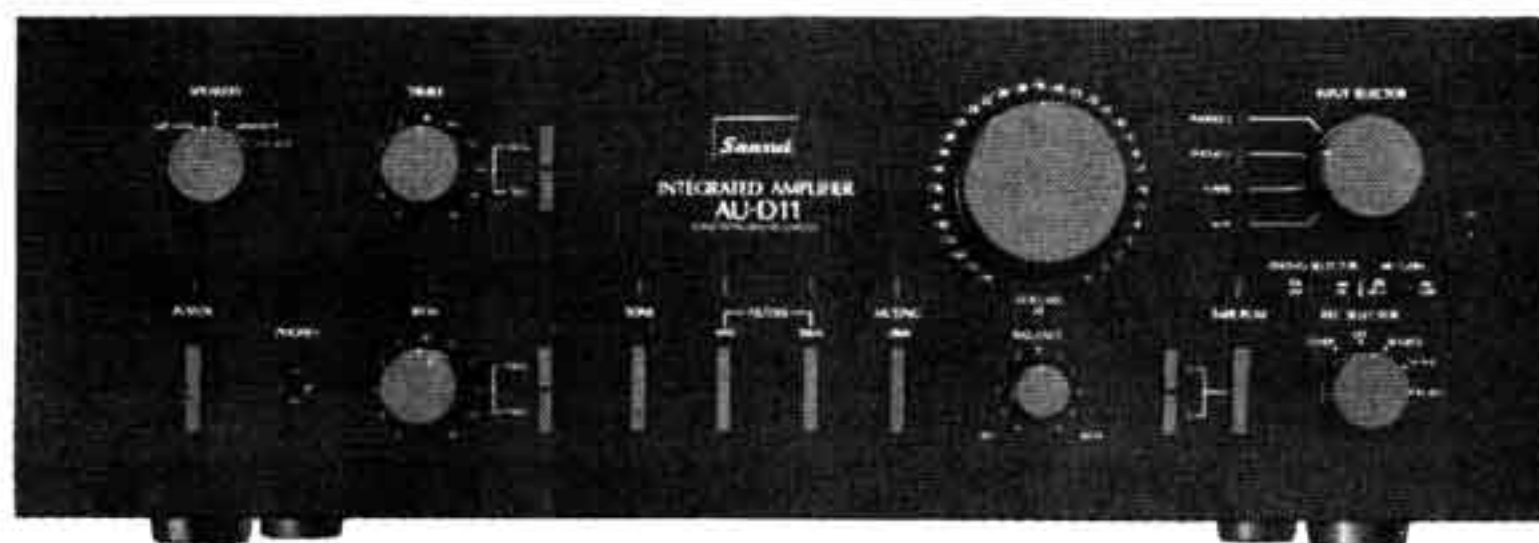


SERVICE MANUAL

INTEGRATED AMPLIFIER

SANSUI AU-D11



Sansui

SANSUI ELECTRIC CO., LTD.

● SPECIFICATIONS

Power output

Min. RMS, both channels driven, from 10 to 20,000 Hz, with no more than 0.005% total harmonic distortion.

120 watts per channel into 8 ohms

Load impedance 8 ohms

Total harmonic distortion

. less than 0.005% at or below rated min. RMS power output

Intermodulation distortion (60Hz : 7kHz = 4:1 SMPTE method) less than 0.005% at rated power output

Frequency response (at 1 watt)

Overall (from AUX)

. DC to 300,000Hz, +0dB, -3.0dB

RIAA curve deviation (PHONO-MM, 20Hz to 20kHz)

. +0.2dB, -0.2dB

Rise time 0.8μsec

Slew rate ±250V/μsec

Damping factor (1kHz, both channels driven)

. 150 into 8 ohms

Input sensitivity and impedance (at 1kHz)

PHONO-1, 2 (MC) . HIGH 100μV/LOW 200μV/
100 ohms

(Max. input capability: 13mV at 1kHz, less than 0.01% total harmonic distortion)

PHONO-1, 2 (MM) . 2.5mV/47 kilohms

(Max. input capability: 200mV at 1kHz, less than 0.01% total harmonic distortion)

AUX, TUNER, TAPE PLAY-1, 2

. 250mV/27 kilohms

Output level and impedance (1,000Hz)

TAPE REC-1, 2 . . . 250mV into 47 kilohms/600 ohms

Channel separation (1kHz, at rated power output)

PHONO-1, 2 (MC) . 50dB

PHONO-1, 2 (MM) . 60dB

AUX, TUNER, TAPE PLAY-1, 2

. 80dB

Signal to noise ratio (short-circuit, A-network)

PHONO-1, 2 (MC) . 74dB

PHONO-1, 2 (MM) . 90dB

AUX, TUNER, TAPE PLAY-1, 2

. 110dB

Controls

BASS +8dB, -8dB at 50Hz

Tone selector . . . 150Hz, 300Hz

TREBLE +8dB, -8dB at 15kHz

Tone selector . . . 3kHz, 6kHz

Filter

16Hz -3dB at 16Hz (6dB/oct)

20kHz -3dB at 20kHz (6dB/oct)

MUTING -20dB

Power requirements

Power voltage 110, 120, 220, 240V (50/60Hz)

For U.S.A. & Canada

. 120V (60Hz)

Power consumption

Rated consumption

. 600 watts

Dimensions 445mm (17-9/16") W

163mm (6-7/16") H

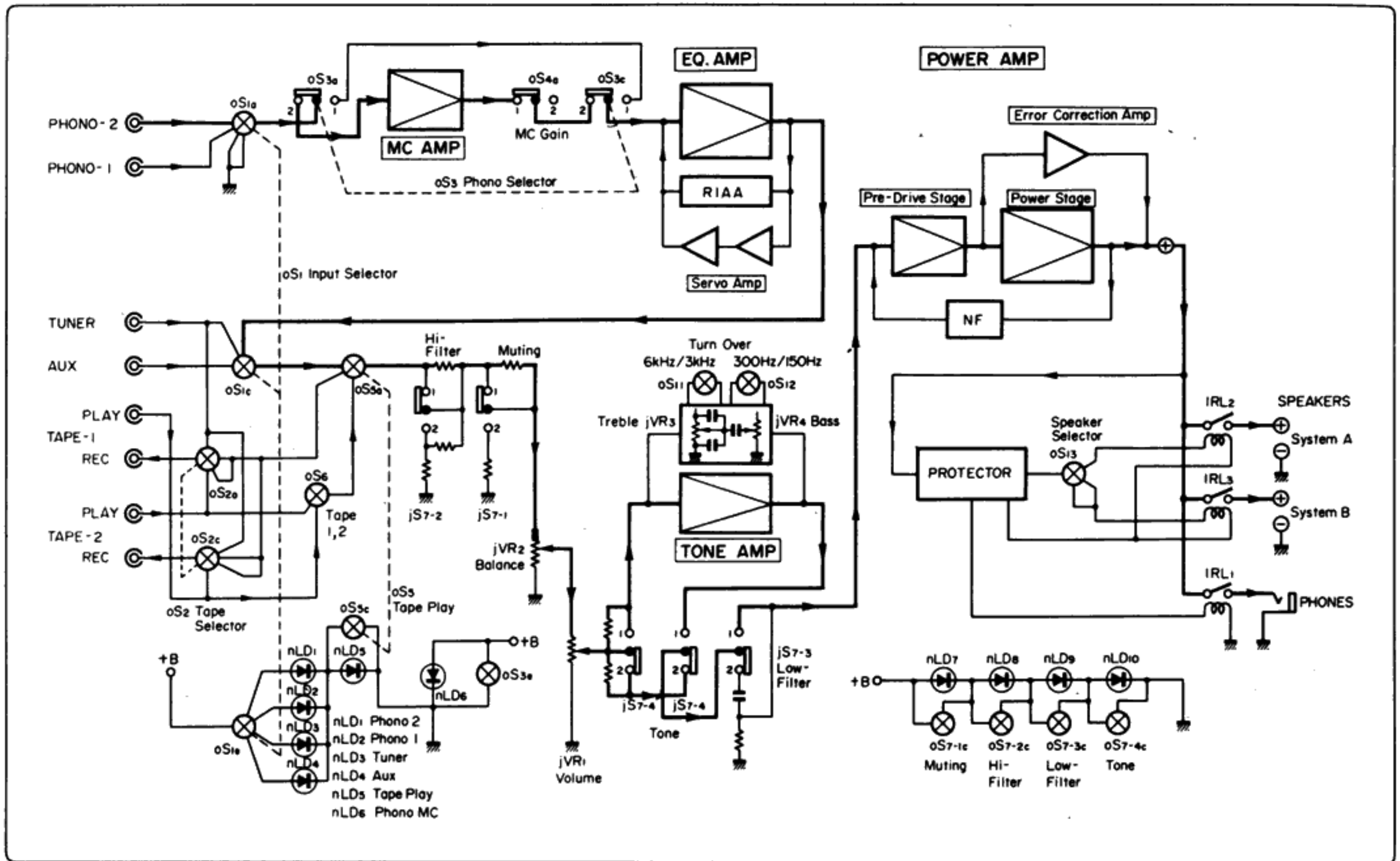
443mm (17-1/2") D

Weight 17.5kg (38.5lbs) net

18.8kg (41.4lbs) packed

* Design and specifications subject to changes without notice for improvements.

1. BLOCK DIAGRAM



2. ADJUSTMENT

- Notes:
1. Before adjusting, set the unit in horizontally.
 2. Master Volume Minimum
 3. Room Temperature . . . 18°C ~ 28°C (65°F ~ 83°F)
 4. For this adjustment, run the unit for more than 3 minutes after the power is switched ON.

2-1. F-3380 MC Head Amp Circuit Adjustment (See Fig. 2-2)

STEP	SUBJECT	MEASURE OUTPUT	ADJUST	ADJUST FOR	REMARKS
1	DC 0V Adj. (Off Set Voltage, Adj.) <L-CH>	Voltage across hR4 <L-ch> (Between Point A and Point B (GND))	hVR1 <L-ch>, F-3380	DC 0V	Before turning ON power switch, set hVR1 center position.
2	DC 0V Adj. (Off Set Voltage, Adj.) <R-CH>	Voltage across hR4 <R-ch> (Between Point C and Point D (GND))	hVR1 <R-ch>, F-3380	DC 0V	

2-2. F-3262 Equalizer Circuit Adjustment (See Fig. 2-1)

STEP	SUBJECT	MEASURE OUTPUT	ADJUST	ADJUST FOR	REMARKS
1	Center DC 0V Adj., <L-CH>	Between Point (A) (TP3) and Point (B) (GND), L-ch	iVR1 <L-ch>, F-3262	DC 0V	Connect Point (C) (TP1) and Point (D) (TP2/GND)
2	Center DC 0V Adj., <R-CH>	Between Point (E) (TP3) and Point (F) (GND), R-ch	iVR1 <R-ch>, F-3262	DC 0V	Connect Point (G) (TP1) and Point (H) (TP2/GND)
3	DC 0V Adj. (Servo), <L-CH>	Between Point (A) (TP3) and Point (B) (GND), L-ch	iVR2 <L-ch>, F-3262	DC 0V	
4	DC 0V Adj. (Servo), <R-CH>	Between Point (E) (TP3) and Point (F) (GND), R-ch	iVR2 <R-ch>, F-3262	DC 0V	

Fig. 2-1

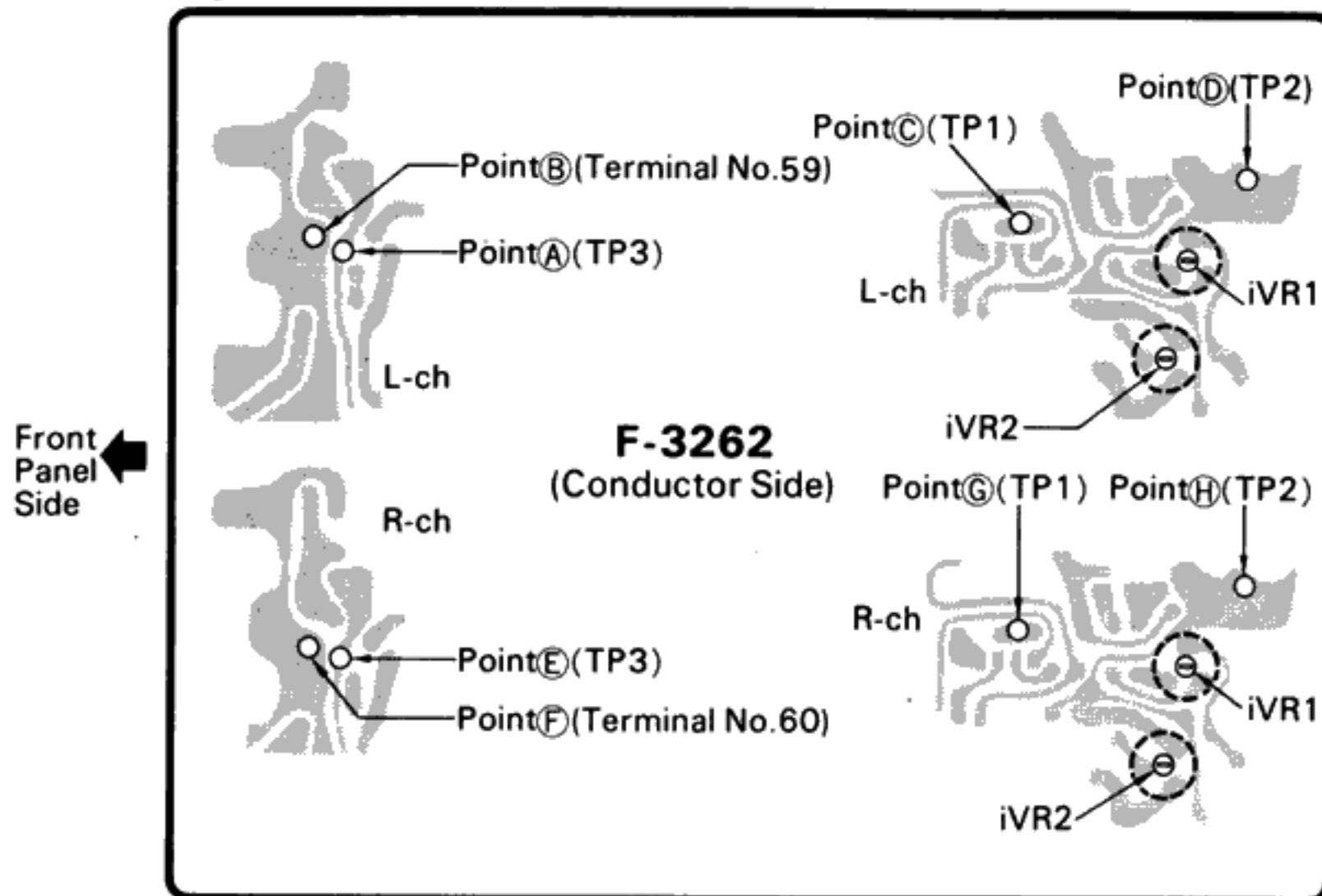
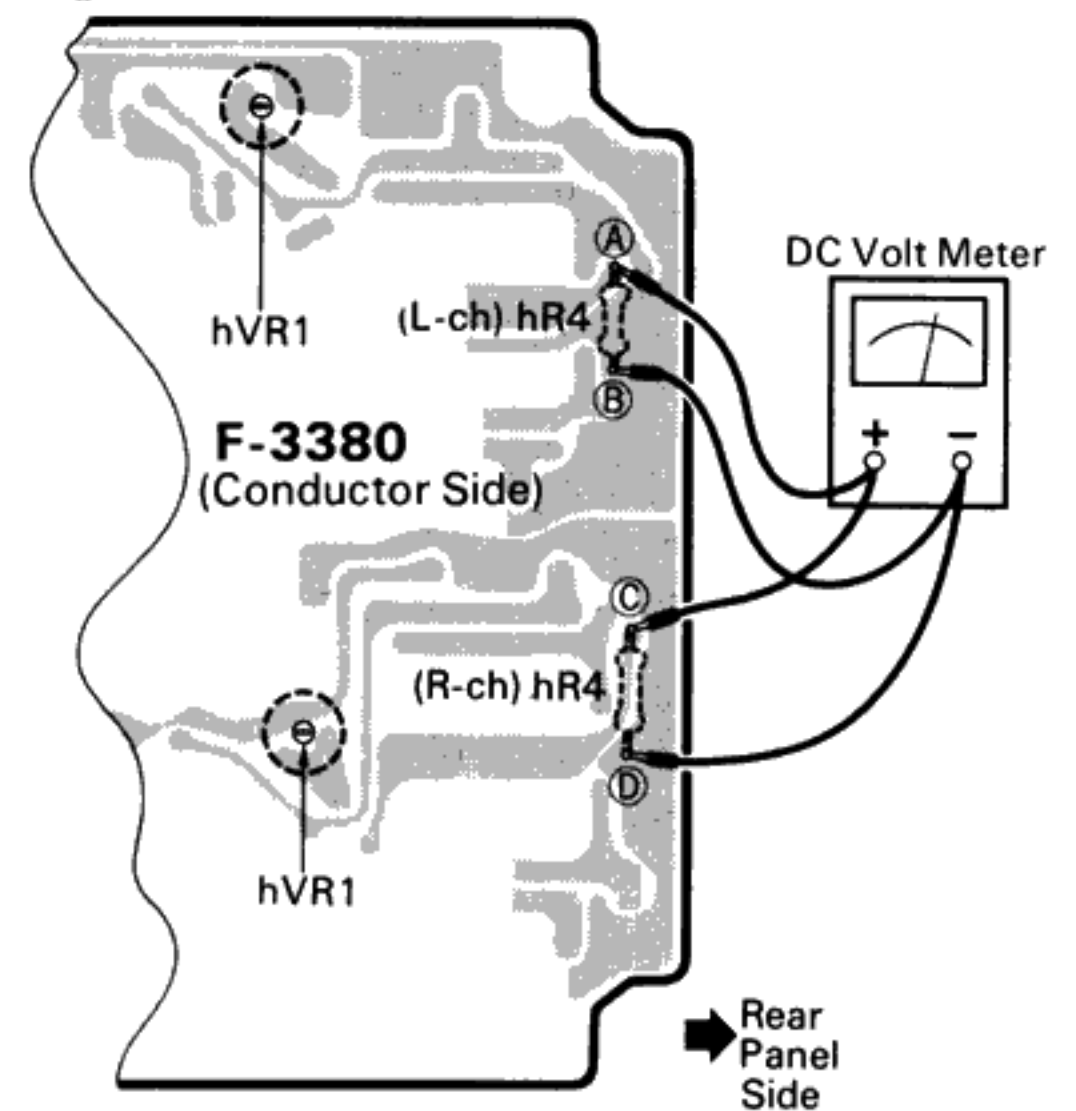


Fig. 2-2



2-3. F-3262, F-3265 Power Amp. Circuit Adjustment (See Top View on page 8)

STEP	SUBJECT	MEASURE OUTPUT	ADJUST	ADJUST FOR	REMARKS
1	Center DC 0V Adj. <L-CH>	Speaker Terminal <L-ch>	kVR1 <L-ch>, F-3263	DC 0V	Before turning ON power switch, set kVR1 to center position.
2	Center DC 0V Adj. <R-CH>	Speaker Terminal <R-ch>	kVR1 <R-ch>, F-3263	DC 0V	
3	Bias Current Adj. <L-CH>	TP Terminal ⊕ and ⊖ of F-3265	kVR2 <L-ch>, F-3265	6 ± 1mV	Before turning ON power switch, turn kVR2 counter-clockwise. This bias current adjustment value into voltage by Ohm's law.
4	Bias Current Adj. <R-CH>	TP Terminal ⊕ and ⊖ of F-3265	kVR2 <R-ch>, F-3265	6 ± 1mV	

◆ Notes when replacing FETs on F-3380

- There are four kinds of FET, ranks 2SK170 (P-type) and 2SJ74 (N-type) on F-3380, MC Head Amp Circuit Board. When replacing some of FETs, use same rank of the 2SK170 and 2SJ74 as a pair per channel. Also, total quantities of FETs per one channel are determined depending upon the respective FET ranks having slightly different gain (gm).

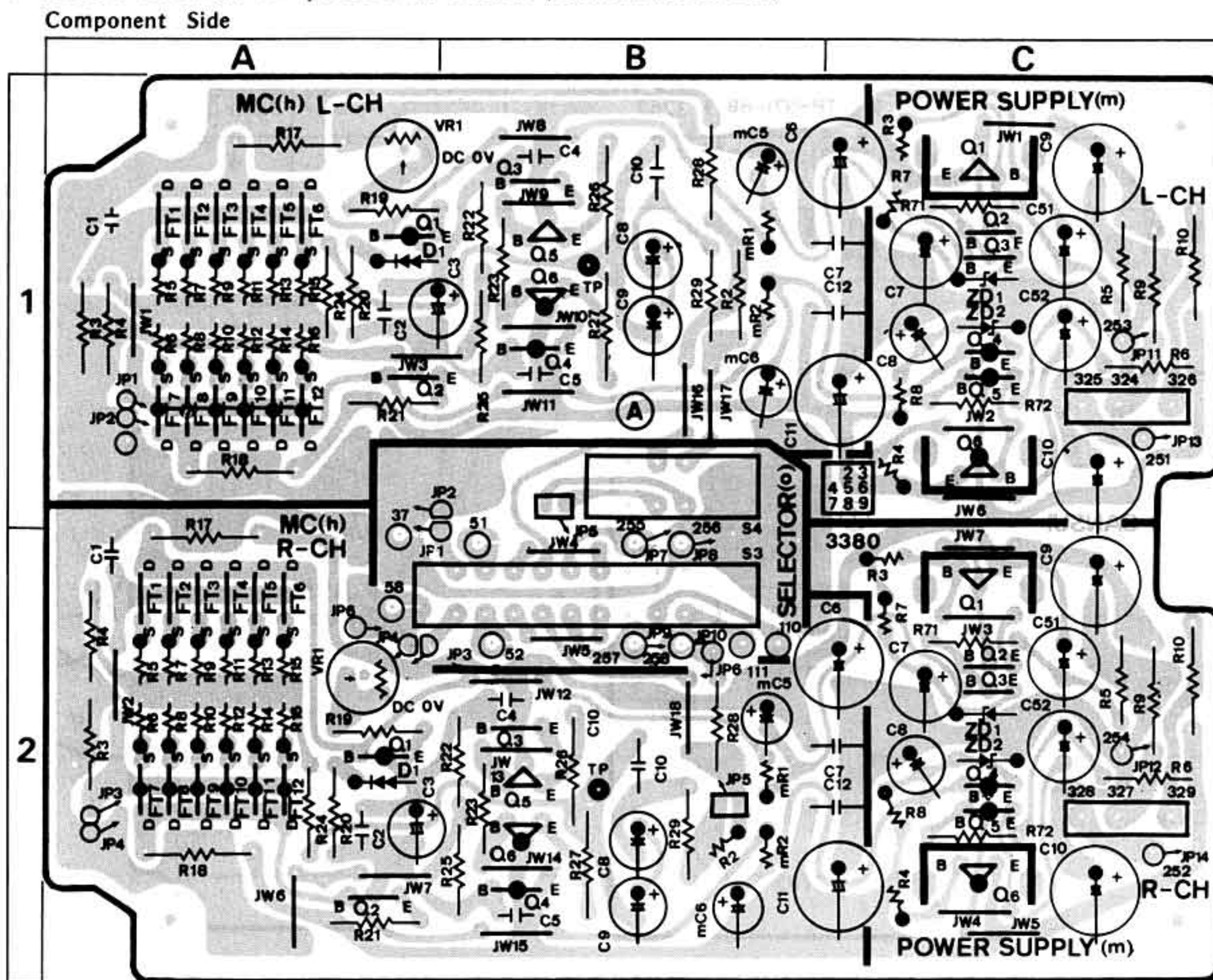
- Total quantities of 2SK170 and 2SJ74 per one channel due to different ranks

Rankings	TTL QTY (per one channel)	Stock No.	
		2SK170 (P type)	2SJ74 (N type)
GR2, GR3	6	07107801	07107701
BL1, BL2	5	07107802	07107702
BL3, BL4	5	07107803	07107703
V1	4	07107804	07107704

3. PARTS LOCATION & PARTS LIST

3-1. F-3380 MC Head Amp. Circuit Board (Stock No. 07088801)

•Since some of capacitors and resistors are omitted from parts lists in this Service Manual, refer to the Common Parts List for capacitors & resistors, which was appended previously to Sansui Manual.



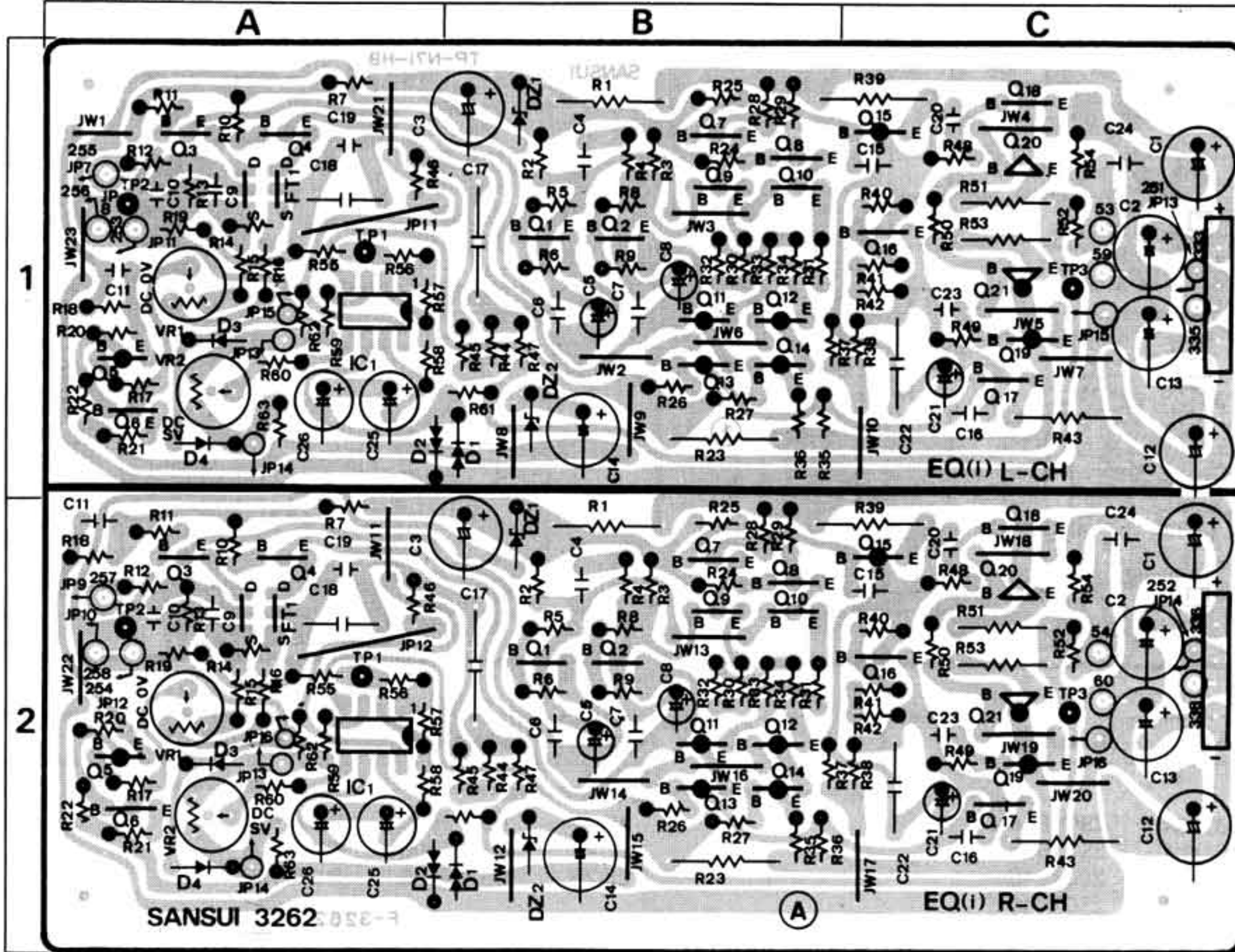
Parts List

Parts No.	Stock No.	Description
•Transistor		
hQ1	03011701	2SA991
hQ2	03068501	2SC1844
hQ3	03067401	2SC1845
hQ4	03010901	2SA992
hQ5	03066801	2SC2071
hQ6	03010301	2SA939
•FET		
hFT1 ~ 4	07107801	2SK170 GR2, GR3
	07107802	2SK170 BL1, BL2
	07107803	2SK170 BL3, BL4
	07107804	2SK170 V1
hFT5	07107801	2SK170 GR2, GR3
	07107802	2SK170 BL1, BL2
hFT6	07107801	2SK170 GR2, GR3
hFT7~10	07107701	2SJ74 GR2, GR3
	07107702	2SJ74 BL1, BL2
	07107703	2SJ74 BL3, BL4
	07107704	2SJ74 V1
hFT,11	07107701	2SJ74 GR2, GR3
	07107702	2SJ74 BL1, BL2
hFT12	07107701	2SJ74 GR2, GR3
•Varistor		
hD1	03401500	MV-12
hD2	03401500	MV-12
hR17	00180200	150Ω 1W N.I.R.
hR18	00180200	150Ω 1W N.I.R.

Parts No.	Stock No.	Description
hC2	00411900	0.15μF 250V P.C.
hC4	00371700	33pF 125V P.C.
hC5	00371700	33pF 125V P.C.
hC7	00409400	0.22μF 100V M.C.
hC10	00409400	0.22μF 100V M.C.
hC12	00409400	0.22μF 100V M.C.
hVR1	10341800	Semi Variable Resistor, 330Ω (B)
•Transistor		
mQ1	03084501	2SD356
mQ2	03067401	2SC1845
mQ3	03067401	2SC1845
mQ4	03010901	2SA992
mQ5	03010901	2SA992
mQ6	03032801	2SB526
•Zener Diode		
mDZ1	03162400	RD9.1E-C
mDZ2	03162400	RD9.1E-C
mR9	00184300	68Ω 1W N.I.R.
mR10	00184300	68Ω 1W N.I.R.
oS3	07219000	Push Switch

3-2. F-3262 Equalizer Amp. Circuit Board (Stock No. 07085201)

Component Side



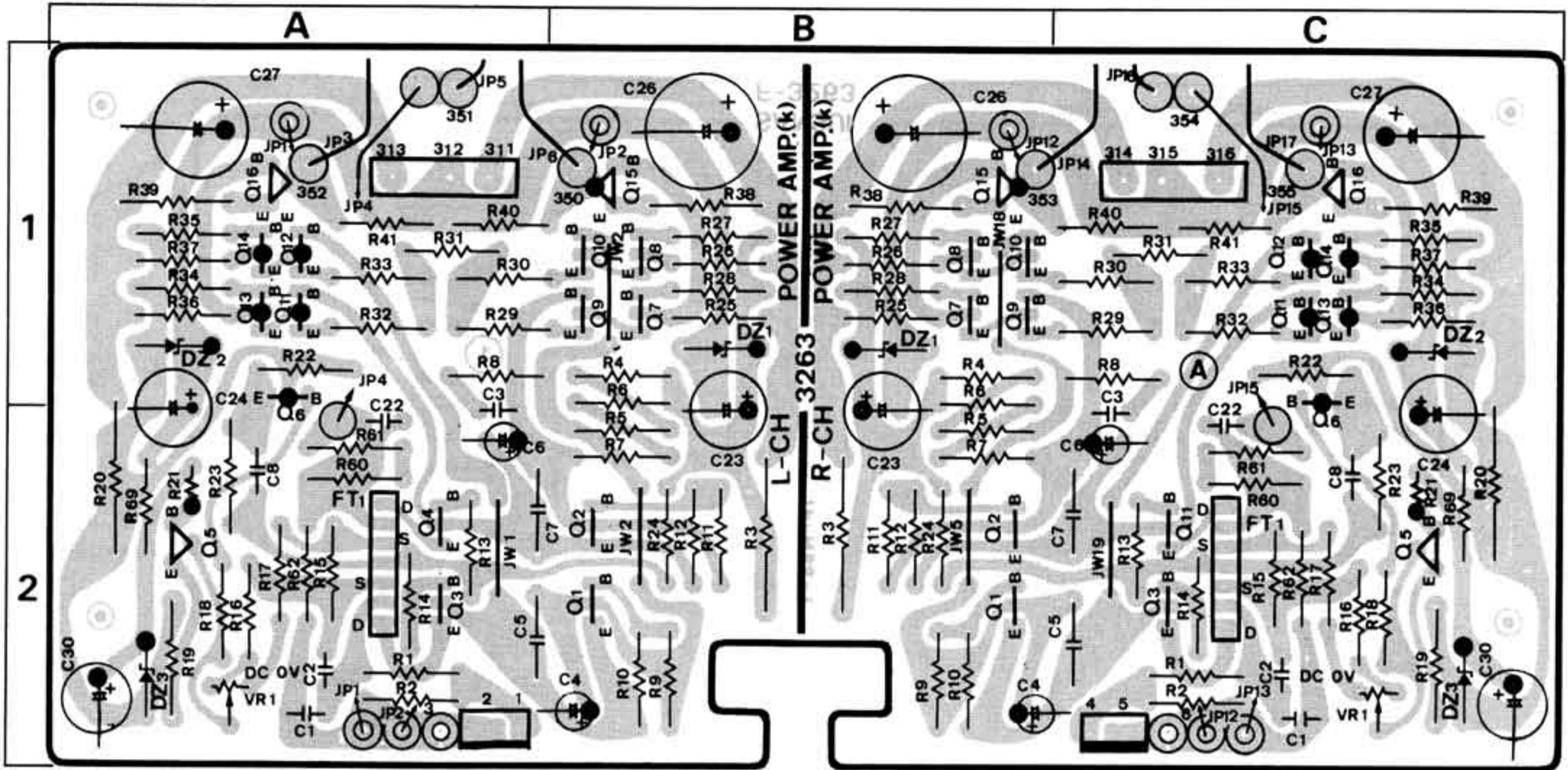
Parts List

Parts No.	Stock No.	Description
•Transistor		
iQ1	03067401	2SC1845
iQ2	03067401	2SC1845
iQ3	03067401	2SC1845
iQ4	03067401	2SC1845
iQ5	03010901	2SA992
iQ6	03067401	2SC1845
iQ7	03067401	2SC1845
iQ8	03067401	2SC1845
iQ9	03067401	2SC1845
iQ10	03067401	2SC1845
iQ11	03010901	2SA992
iQ12	03010901	2SA992
iQ13	03010901	2SA992
iQ14	03010901	2SA992
iQ15	03010901	2SA992
iQ16	03067401	2SC1845
iQ17	03067401	2SC1845
iQ18	03067401	2SC1845
iQ19	03010901	2SC1845
iQ20	03066801	2SC2071
iQ21	03010301	2SA939
•FET		
iFT1	03703500	2SK146
•IC		
iIC1	03607700	NJM4558D
•Varistor		
iD1	03401500	MV-12
iD2	03401500	MV-12

Parts No.	Stock No.	Description
•Zener Diode		
iDZ1	03164500	RD18E-B
iDZ2	03164500	RD18E-B
iR1	00179200	1k Ω 1W N.I.R.
iR19	46001100	27 Ω 1/2W M.R.
iR23	00179200	1k Ω 1W N.I.R.
iR44	46008000	20k Ω 1/2W M.R.
iR45	46006900	6.8k Ω 1/2W M.R.
iR46	46005700	2.2k Ω 1/2W M.R.
iR47	46014600	100 Ω 1/2W M.R.
iR52	46016400	560 Ω 1/2W M.R.
iC6	00407400	0.033 μ F 100V M.C.
iC7	00407400	0.033 μ F 100V M.C.
iC9	00371200	22pF 125V P.C.
iC15	00370100	10pF 125V P.C.
iC16	00370100	10pF 125V P.C.
iC17	00415300	0.12 μ F 100V P.C.
iC18	00413900	0.033 μ F 100V P.C.
iC20	00403800	0.001 μ F 100V M.C.
iC22	00411600	0.047 μ F 400V M.C.
iC23	00403800	0.001 μ F 100V M.C.
iVR1	10341500	Semi Variable Resistor 100 Ω (B)
iVR2	10342500	Semi Variable Resistor 4.7k Ω (B)

3-3. F-3263 Driver Amp. Circuit Board (Stock No. 07085301)

Component Side



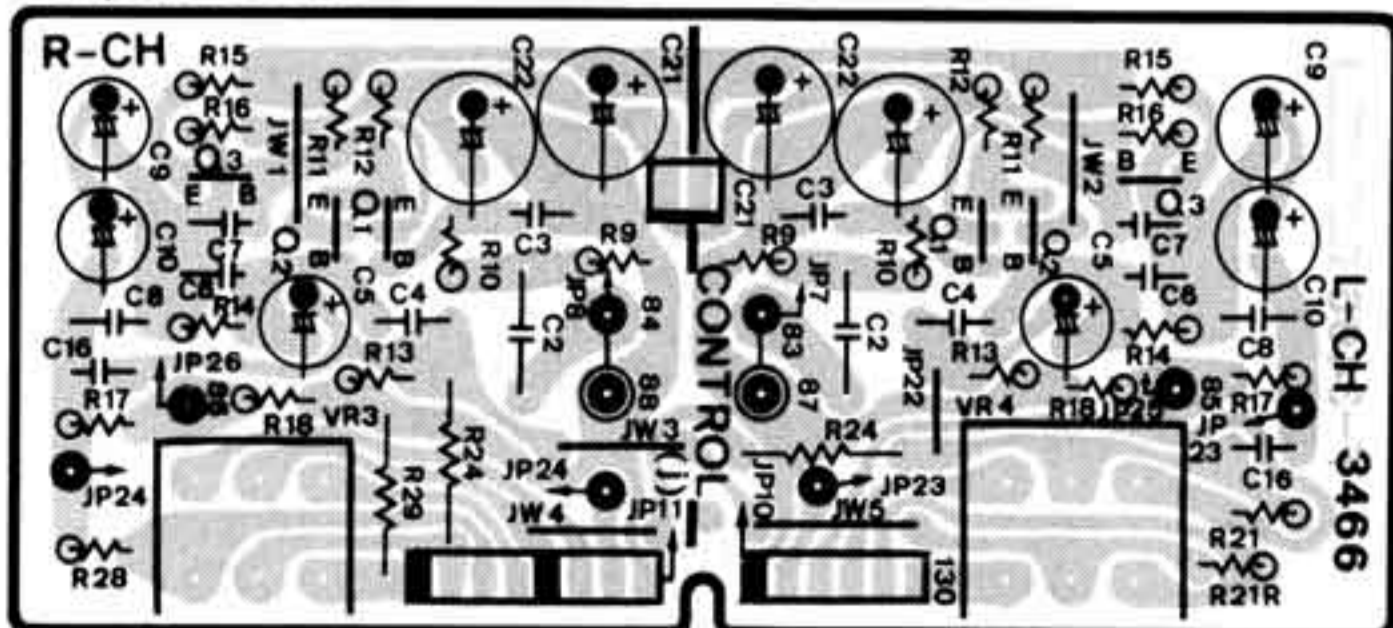
Parts List

Parts No.	Stock No.	Description
•Transistor		
kQ1	03067401	2SC1845
kQ2	03067401	2SC1845
kQ3	03067401	2SC1845
kQ4	03067401	2SC1845
kQ5	03064001	2SC1904
kQ6	03010901	2SA992
kQ7	03067401	2SC1845
kQ8	03067401	2SC1845
kQ9	03067401	2SC1845
kQ10	03067401	2SC1845
kQ11	03010901	2SA992
kQ12	03010901	2SA992
kQ13	03010901	2SA992
kQ14	03010901	2SA992
kQ15	03007901	2SA899
kQ16	03064001	2SC1904
•FET		
kFT1	07110000, 1	μPA68H L, M

Parts No.	Stock No.	Description
•Zener Diode		
kDZ1	03171900	RD27F-B
kDZ2	03171900	RD27F-B
kDZ3	03163100	RD13E-B
kR3	00186900	1.5kΩ 2W N.I.R.
kR20	00186900	1.5kΩ 2W N.I.R.
kC1	00371200	22pF 125V P.C.
kC2	00371200	22pF 125V P.C.
kC5	00407400	0.033μF 100V M.C.
kC7	00407400	0.033μF 100V M.C.
kC8	00403800	0.001μF 100V M.C.
kC22	00371700	33pF 125V P.C.
kVR1	10335700	Semi Variable Resistor 100Ω (B), DC 0V

3-4. F-3466 Tone Control Amp. Circuit Board (Stock No. 00633701)

Component Side

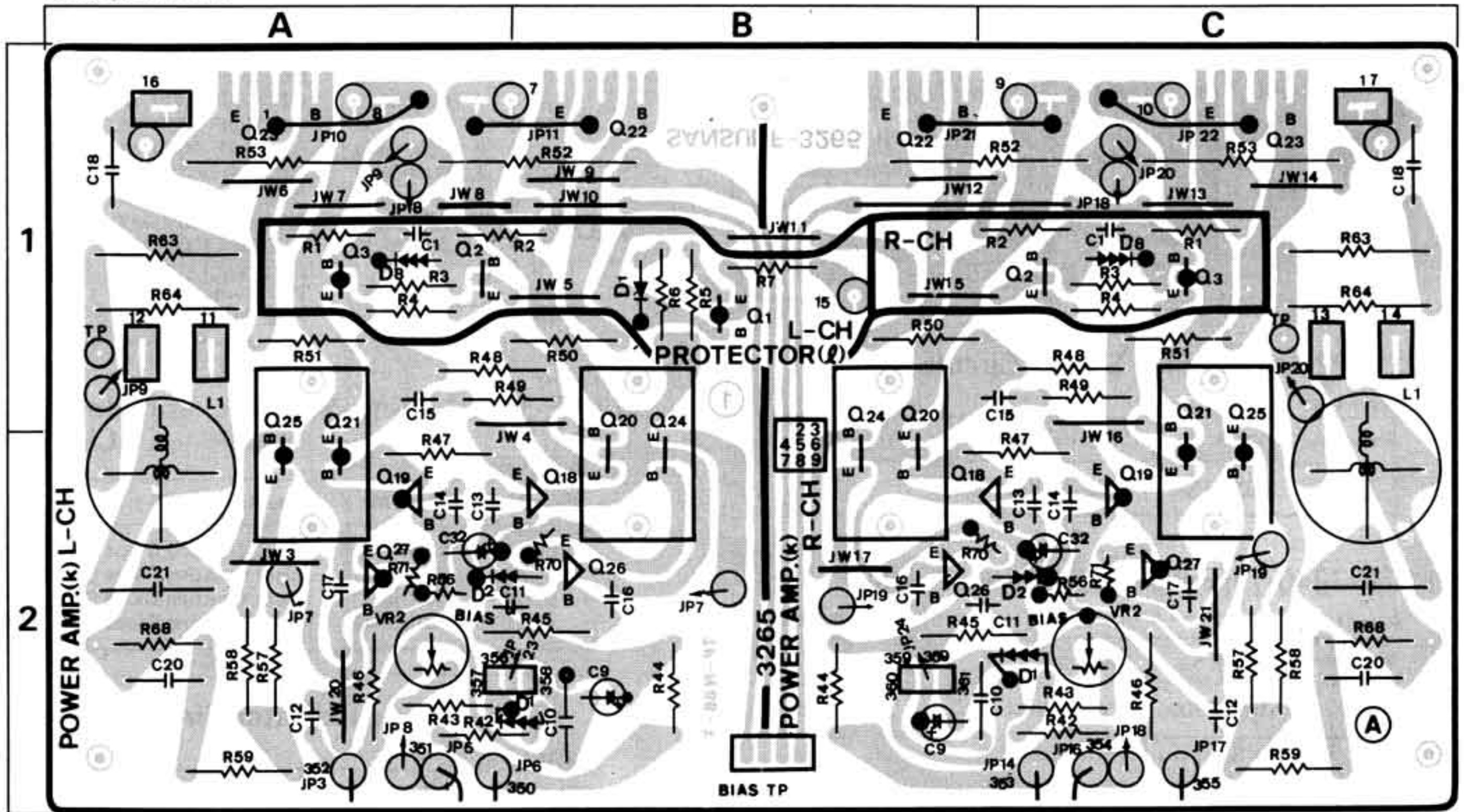


Parts List

Parts No.	Stock No.	Description
•Transistor		
jQ1	03067401	2SC1845
jQ2	03067401	2SC1845
jQ3	03010901	2SA992
jC2	00409800	0.33μF 100V M.C.
jC3	00371700	33pF 125V P.C.
jC4	00407800	0.047μF 100V M.C.
jC6	00371200	22pF 125V P.C.
jC7	00370100	10pF 125V P.C.
jC8	00407800	0.047μF 100V M.C.
jC16	00371400	27pF 125V P.C.
jVR3	07271700	Variable Resistor 100kΩ (C), bass
jVR4	07271700	Variable Resistor 100kΩ (C), treble

3-5. F-3265 Power Amp. Circuit Board (Stock No. 07091101)

Component Side



Parts List

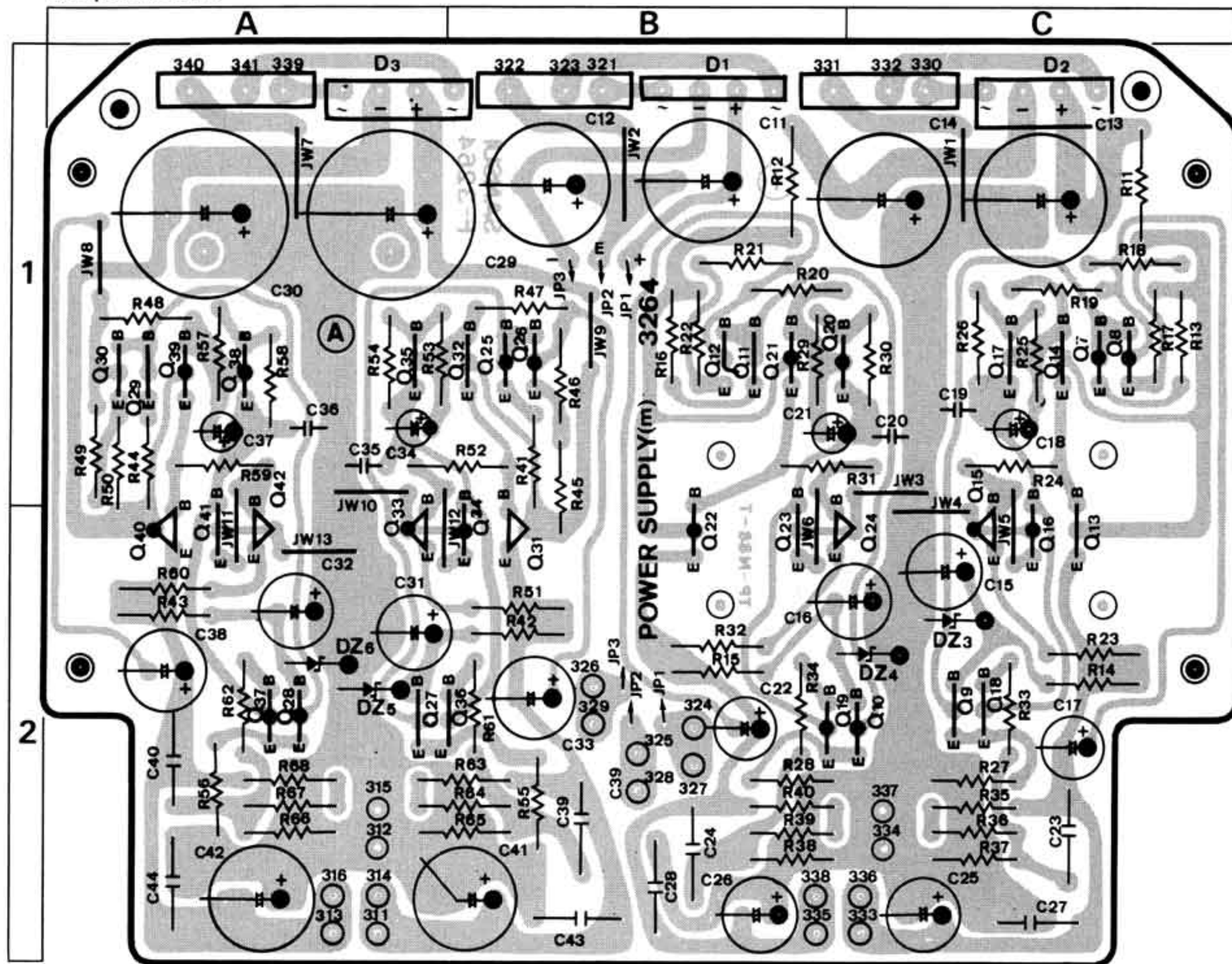
Parts No.	Stock No.	Description	Parts No.	Stock No.	Description
•Transistor					
kQ18	03064001	2SC1904	kC12	00403800	0.001 μ F 100V M.C.
kQ19	03007901	2SA899	kC13	00371700	33pF 125V P.C.
kQ20	03069301	2SC2238	kC14	00371700	33pF 125V P.C.
kQ21	03012401	2SA968	kC15	00405400	0.0047 μ F 100V M.C.
kQ22	07156601	2SC2774LB	kC16	00372300	5pF 125V P.C.
kQ23	07156501	2SA1170LB	kC17	00372300	5pF 125V P.C.
kQ24	03069301	2SC2238	kC18	00411600	0.047 μ F 400V P.C.
kQ25	03012401	2SA968	kC20	00411300	0.015 μ F 630V P.C.
kQ26	03064001	2SC1904	kC31	00411500	0.033 μ F 400V P.C.
kQ27	03007901	2SA899	kL1	46027200	Inductor 2.5 μ H
•Varistor					
kD1	03401601,2	STV-3H Y,G	kVR2	10342100	Semi Variable Resistor 1k Ω (B), bias adj.
kD2	03401500	MV-12			
kR52	07221600	0.22 Ω 5W Ce.R.	•Transistor		
kR53	07221600	0.22 Ω 5W Ce.R.	IQ2	03064001	2SC1904
kR63	00187700	22 Ω 2W N.I.R.	IQ3	03007901	2SA899
kR64	00187700	22 Ω 2W N.I.R.	•Diode		
kR72	46012200	10 Ω 1/2W M.R.	ID1	03111600	1S2473D
kC10	00411800	0.1 μ F 250V P.C.	•Varistor		
kC11	00403800	0.001 μ F 100V M.C.	ID8	03401700	MV-103

• Abbreviations

C.R.	Carbon Resistor	E.L.	Low Leak Electrolytic Capacitor
S.R.	Solid Resistor	E.B.	Bi-Polar Electrolytic Capacitor
Ce.R.	Cement Resistor	E.BL.	Low Leak Bi-Polar Electrolytic Capacitor
M.R.	Metal Film Resistor	Ta.C.	Tantalum Capacitor
F.R.	Fusing Resistor	F.C.	Film Capacitor
N.I.R.	Non-Inflammable Resistor	M.P.	Metalized Paper Capacitor
C.C.	Ceramic Capacitor	P.C.	Polystyrene Capacitor
C.T.	Ceramic Capacitor, Temperature Compensation	G.C.	Gimmic Capacitor
E.C.	Electrolytic Capacitor		

3-6. F-3264 Power Supply Circuit Board (Stock No. 07085401)

Component Side

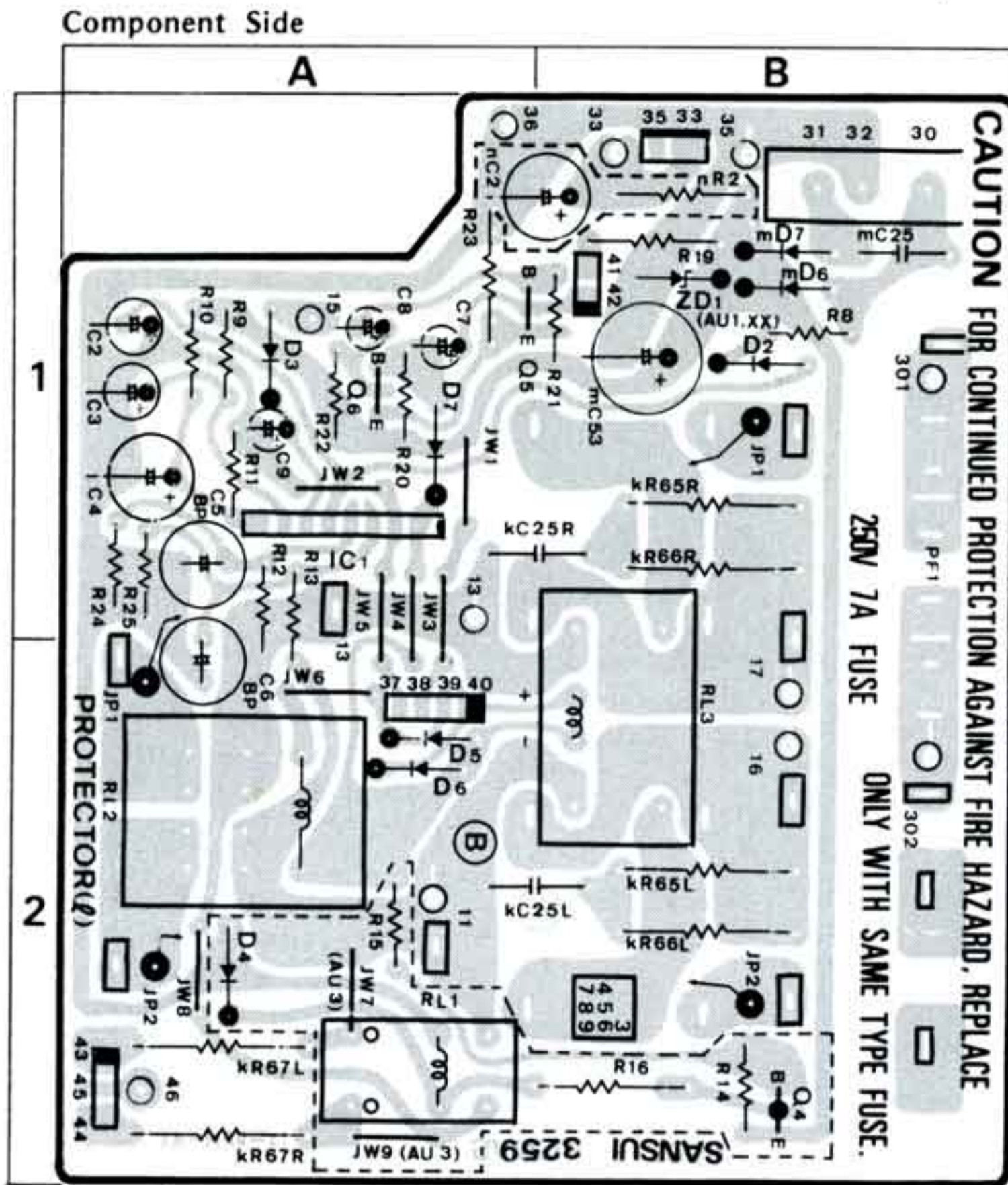


Parts List

Parts No.	Stock No.	Description
●Transistor		
mQ7	03010901	2SA992
mQ8	03010901	2SA992
mQ9	03067401	2SC1845
mQ10	03010901	2SA992
mQ11	03067401	2SC1845
mQ12	03067401	2SC1845
mQ13	03067401	2SC1845
mQ14	03067401	2SC1845
mQ15	03032800	2SB526
mQ16	03010901	2SA992
mQ17	03067401	2SC1845
mQ18	03067401	2SC1845
mQ19	03010901	2SA992
mQ20	03010901	2SA992
mQ21	03010901	2SA992
mQ22	03032801	2SB526
mQ23	03067401	2SC1845
mQ24	03084501	2SD356
mQ25	03010901	2SA992
mQ26	03010901	2SA992
mQ27	03067401	2SC1845
mQ28	03010901	2SA992
mQ29	03067401	2SC1845
mQ30	03067401	2SC1845
mQ31	03067001	2SC2168
mQ32	03067401	2SC1845
mQ33	03032801	2SB526
mQ34	03010901	2SA992
mQ35	03067401	2SC1845
mQ36	03067401	2SC1845

Parts No.	Stock No.	Description
mQ37	03010901	2SA992
mQ38	03010901	2SA992
mQ39	03010901	2SA992
mQ40	03010501	2SA958
mQ41	03067401	2SC1845
mQ42	03084501	2SD356
●Diode		
mD1	07193300	UB-152LFF
mD2	07193300	UB-152LFF
mD3	07193300	UB-152LFF
●Zener Diode		
mDZ3	03163100	RD13E-B
mDZ4	03163100	RD13E-B
mDZ5	03163100	RD13E-B
mDZ6	03163100	RD13E-B
mC23	07255800	22pF 200V M.C.
mC24	07255800	22pF 200V M.C.
mC25	07262600	100μF 50V E.C.
mC26	07262600	100μF 50V E.C.
mC27	07255800	22pF 200V M.C.
mC28	07255800	22pF 200V M.C.
mC29	07262700	470μF 100V E.C.
mC30	07262700	470μF 100V E.C.
mC39	07255800	0.22μF 200V M.C.
mC40	07255800	0.22μF 200V M.C.
mC43	07255800	0.22μF 200V M.C.
mC44	07255800	0.22μF 200V M.C.

3-7. F-3259 Protector Circuit Board (Stock No. 07084901)

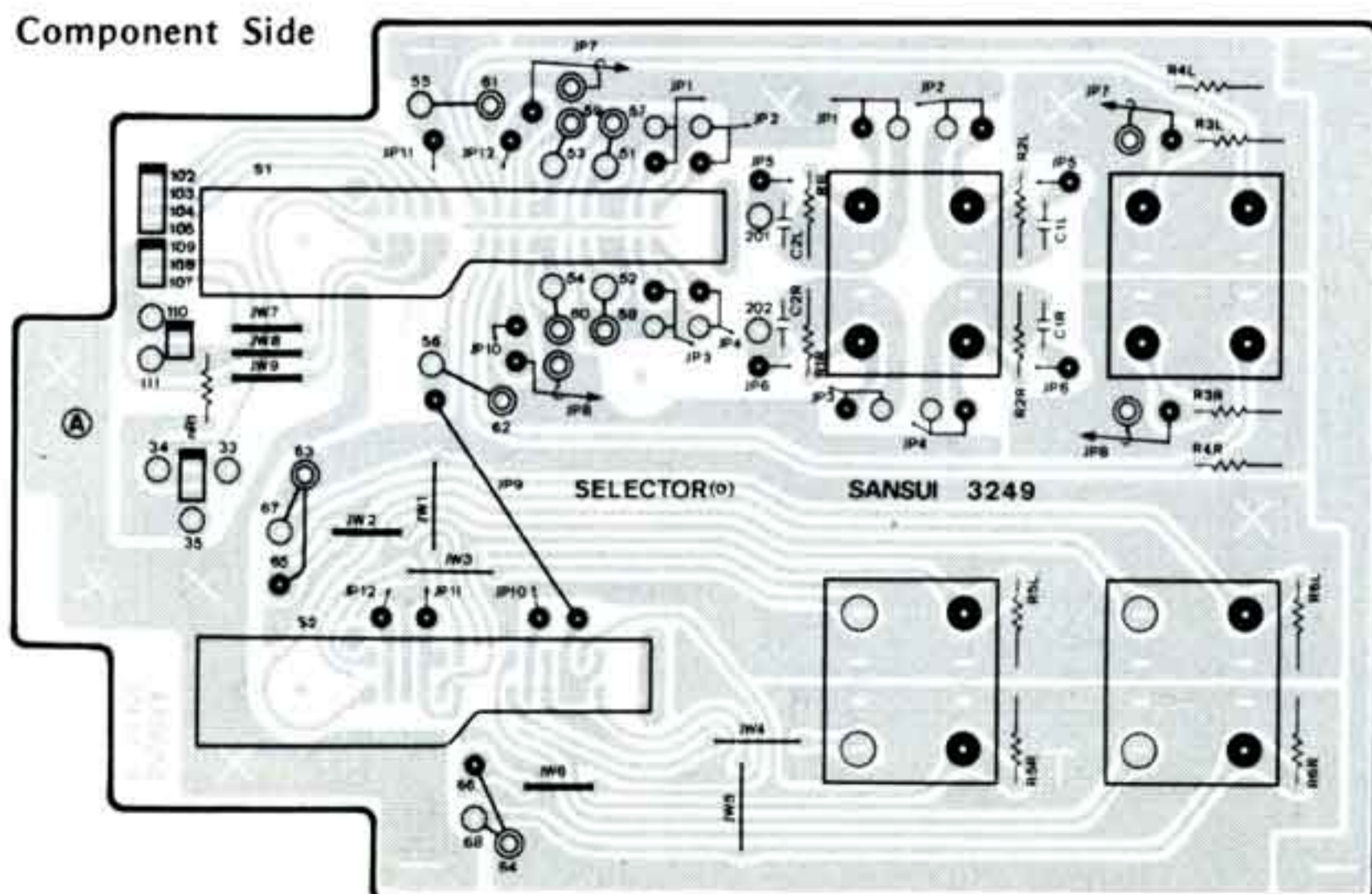


Parts List

Parts No.	Stock No.	Description
kR65	00187700	22Ω 2W N.I.R.
kR66	00187700	22Ω 2W N.I.R.
kR67	00187800	220Ω 2W N.I.R.
kC25	00411600	0.047μF 400V P.C.
●Transistor		
IQ1	03010901	2SA992
IQ4	07197001	2SA733A
IQ5	03067401	2SC1845
IQ6	03067401	2SC1845
●IC		
IC1	03609000	HA12002
●Diode		
ID2	03111600	1S2473D
ID3	03111600	1S2473D
ID4	03117700	10E-2
ID5	03117700	10E-2
ID6	03117700	10E-2
ID7	03111600	1S2473D
IR19	00181800	2.7kΩ 1W N.I.R.
IC5	00302600	100μF 6.3V E.B.
IC6	00302600	100μF 6.3V E.B.
IRL1	11506200	Relay
IRL2	11504800	Relay
IRL3	07198400	Relay
●Diode		
mD6	07112300	10DF-2
mD7	07112300	10DF-2
nR2	00182300 07203600	3.3kΩ 1W N.I.R. 8P Speaker Terminal
pF1	07189500 07189100	Fuse 10A 250V (110V ~ 120V) Fuse 5A 250V (220 ~ 240V)

- The circuit boards, F-3249, F-3467, F-3239, F-3240, F-3248, F-3250, F-3251, F-3253, F-3255, F-3257, F-3260, F-3261, F-3382 & F-3383 are not supplied as the assembled. However, the individual parts on the circuit board are provided by orders.

3-8. F-3249 Input Terminal Circuit Board

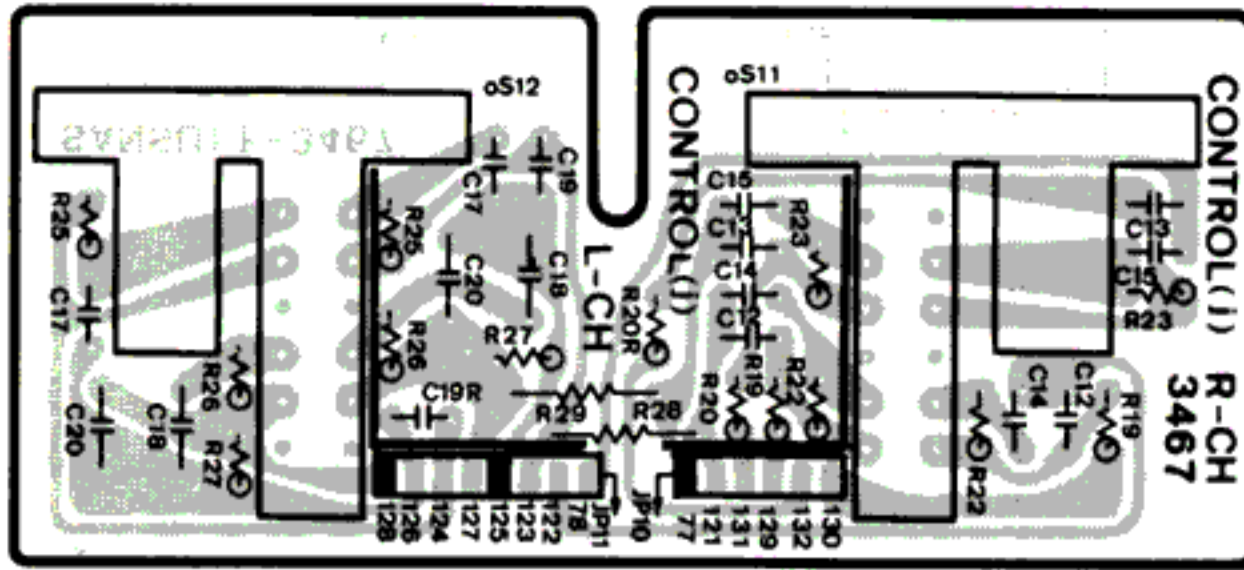


Parts List

Parts No.	Stock No.	Description
oS1	07219600	Rotary Slide Switch, input selector
oS2	07219500	Rotary Slide Switch, REC selector
	22006300	4P Input Terminal, phono
	22006200	4P Input Terminal, tuner, aux
	22006500	4P Input Terminal, tape

3-9. F-3467 Tuner-over Circuit Board

Component Side



Parts List

Parts No.	Stock No.	Description
jC12	00404200	0.0015 μ F 100V M.C.
jC13	00406000	0.0082 μ F 100V M.C.
jC14	00404000	0.0012 μ F 100V M.C.
jC15	00405800	0.0068 μ F 100V M.C.
jC17	00406600	0.015 μ F 100V M.C.
jC18	00408400	0.082 μ F 100V M.C.
jC19	00406600	0.015 μ F 100V M.C.
jC20	00408400	0.082 μ F 100V M.C.
oS11	07271600	Push Switch
oS12	07271500	Push Switch

3-10. F-3239 Tape-Play Switch Circuit Board

Parts List

Parts No.	Stock No.	Description
oS5	07218700	Push Switch

3-11. F-3240 Tape-Play 1/2 Selector Switch

Circuit Board

Parts List

Parts No.	Stock No.	Description
oS6	07218900	Push Switch

3-12. F-3248 Bias Compensating Circuit Board

Parts List

Parts No.	Stock No.	Description
•Transistor kQ17	03067401	2SC1845

3-13. F-3250 Head Phone Jack Circuit Board

Parts List

Parts No.	Stock No.	Description
	24306000	Head Phone Jack

3-14. F-3251 Speaker Switch Circuit Board

Parts List

Parts No.	Stock No.	Description
nR1	00182300	3.3k Ω 1W N.I.R.
oS13	07219400	Rotary Switch

3-15. F-3253 Control Circuit Board

Parts List

Parts No.	Stock No.	Description
jC1	00405000	0.0033 μ F 100V M.C.
jC11	00408000	0.056 μ F 100V M.C.
jVR2	07218200	Variable Resistor 250k Ω (MN)
oS7	07271800	Push Switch

3-16. F-3255 Master Volume Circuit Board

Parts List

Parts No.	Stock No.	Description
jVR1	07218100	Variable Resistor 100k Ω x 2

3-17. F-3257 Muting, Subsonic, Tone-Indicator Circuit Board

Parts List

Parts No.	Stock No.	Description
nLD7	03193700	Light Emitting Diode SEL1110S
nLD8	03193700	Light Emitting Diode SEL1110S
nLD9	03193700	Light Emitting Diode SEL1110S
nLD10	03193700	Light Emitting Diode SEL1110S

3-18. F-3260 Power Indicator Circuit Board

Parts List

Parts No.	Stock No.	Description
	07581900	LED Holder
nLD11	03193700	Light Emitting Diode SEL1110S

3-19. F-3261 Input Mode Indicator Circuit Board

Parts List

Parts No.	Stock No.	Description
nLD1	03193700	Light Emitting Diode SEL1110S
nLD2	03193700	Light Emitting Diode SEL1110S
nLD3	03193700	Light Emitting Diode SEL1110S
nLD4	03193700	Light Emitting Diode SEL1110S
nLD5	03193700	Light Emitting Diode SEL1110S
nLD6	07246200	Light Emitting Diode SEL1710K

3-20. F-3382 Rectifier Circuit Board <L-ch>

Parts List

Parts No.	Stock No.	Description
•Diode mD4	07220900	UF-25S
mD5	07221000	UF-25R
mR69	00191500	6.8k Ω 2W N.I.R.
mR70	00191500	6.8k Ω 2W N.I.R.

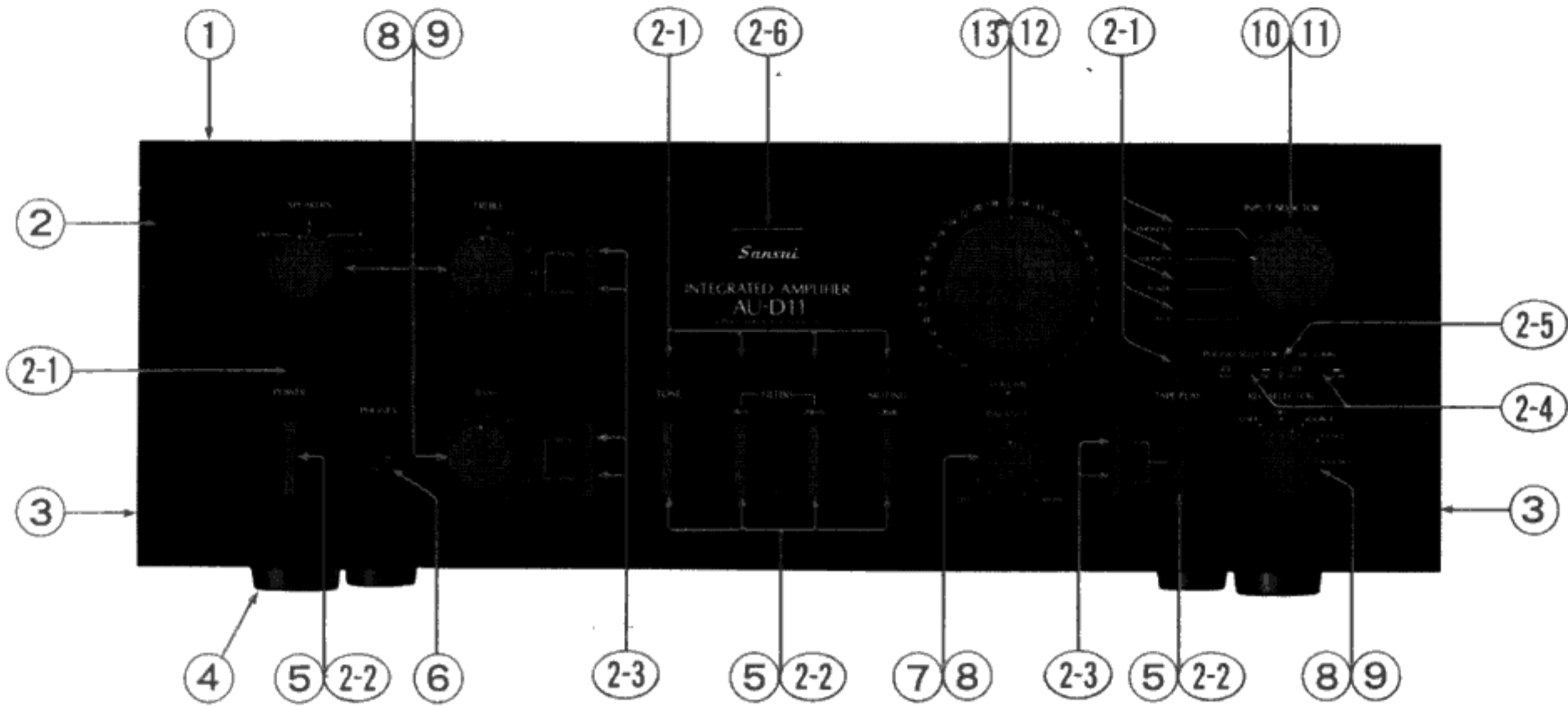
3-21. F-3383 Rectifier Circuit Board <R-ch>

Parts List

Parts No.	Stock No.	Description
•Diode mD4	07220900	UF-25S
mD5	07221000	UF-25R
mR69	00191500	6.8k Ω 2W N.I.R.
mR70	00191500	6.8k Ω 2W N.I.R.

4. OTHER PARTS

4-1. Front View



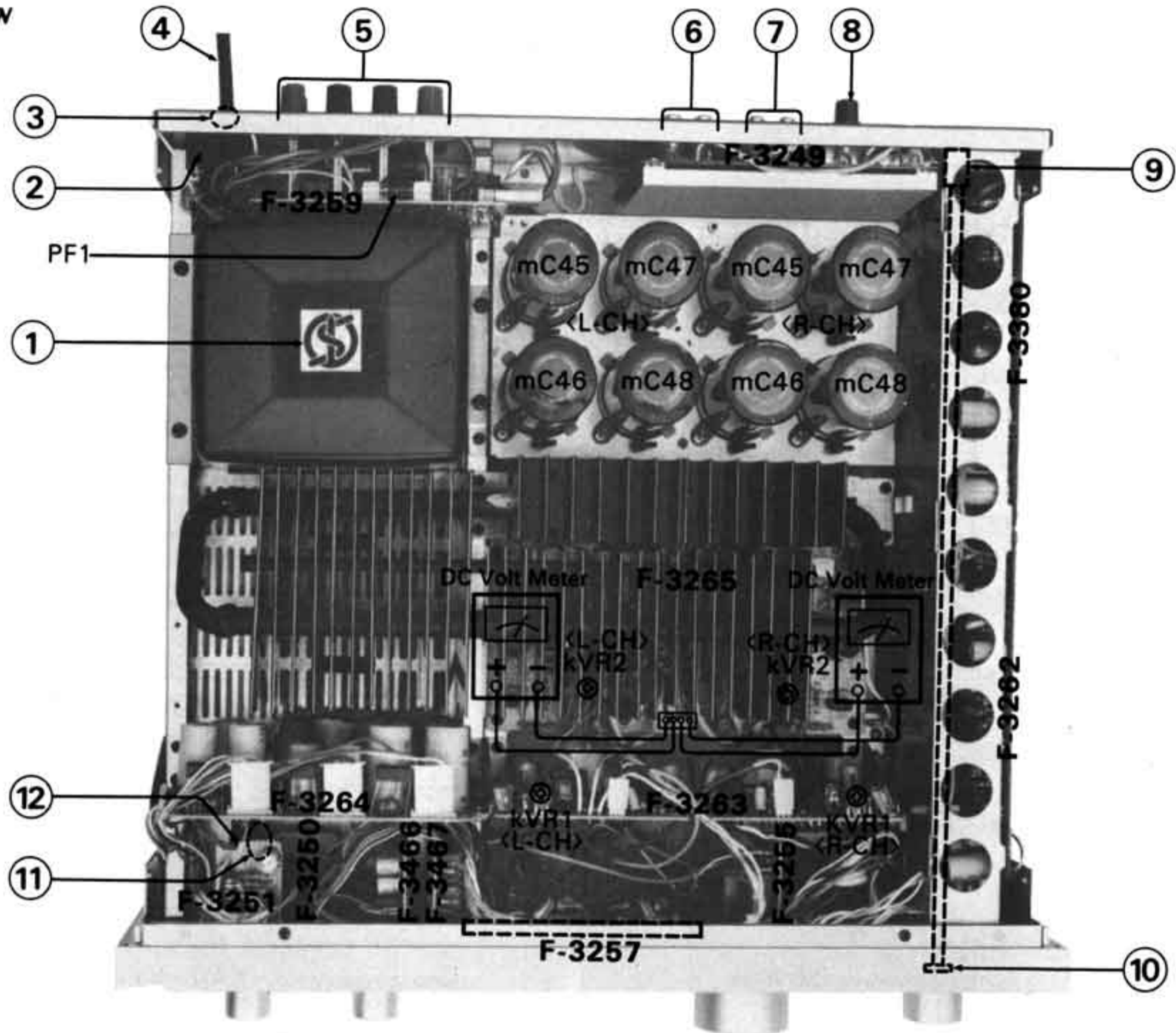
Parts List <Front View>

Parts No.	Stock No.	Description
1	07585010	Wood Bonnet
2	07575900	Front Panel Ass'y
2-1	07578000	Indicator Plate (Red)
2-2	07581200	Push Knob Guide, POWER, TONE, FILTERS, MUTING, TAPE PLAY
2-3	07578400	Push Knob Ass'y, 3kHz/6kHz, 150Hz/300Hz TAPE PLAY 1/2
2-4	71061500	Push Knob Ass'y, PHONO SELECTOR, MC GAIN
2-5	07578100	Indicator Plate (Green)
2-6	07582700	Sansui Badge
3	07571200	Panel Side Frame
4	55073500	Leg
5	07580500	Push Knob, POWER, TONE, FILTERS, MUTING, TAPE PLAY
6	24306000	Head Phone Jack
7	07521000	Knob, BALANCE
8	07595300	Masking Sheet (D), BALANCE, REC SELECTOR, BASS, TREBLE, SPEAKERS
9	07520900	Knob, REC SELECTOR, TREBLE, BASS, SPEAKERS
10	07520800	Knob, INPUT SELECTOR
11	50485300	Masking Sheet (A), INPUT SELECTOR
12	07520700	Knob, VOLUME
13	07595200	Masking Sheet (C), VOLUME

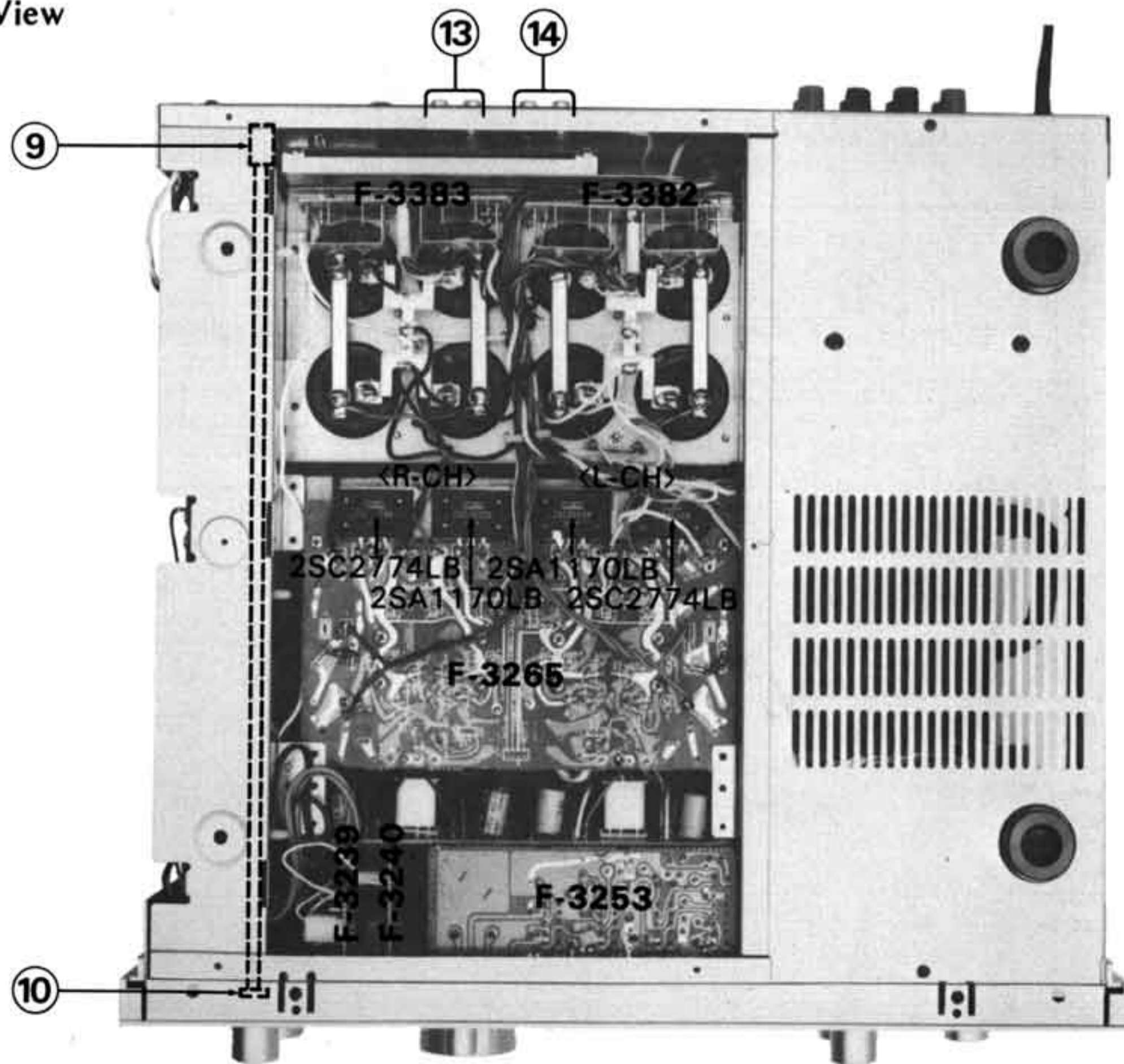
Parts List <Top, Bottom View>

Parts No.	Stock No.	Description
1	15000501	Power Transformer
2	07217500	AC Outlet
3	39106000	Strain Relief
4	38004700	Power Supply Cord
5	07203600	8P Speaker Terminal
6	22006200	4P Input Terminal, tuner, aux
7	22006300	4P Input Terminal, phono 1, 2
8	22301900	Ground Terminal
9	60460410	Coupler, joint shaft
10	63062310	Bearing Plate, joint shaft
11	00386000	0.01 μ F 150V C.C.
12	07259400	Push Switch, power
13	22006500	4P Input Terminal, tape 2
14	22006500	4P Input Terminal, tape 1
mC45~48	07260500	8200 μ F 71V E.C.
pF1	07189500	Fuse 10A 250V (110V ~ 120V)
	07189100	Fuse 5A 250V (220 ~ 240V)

4-2. Top View

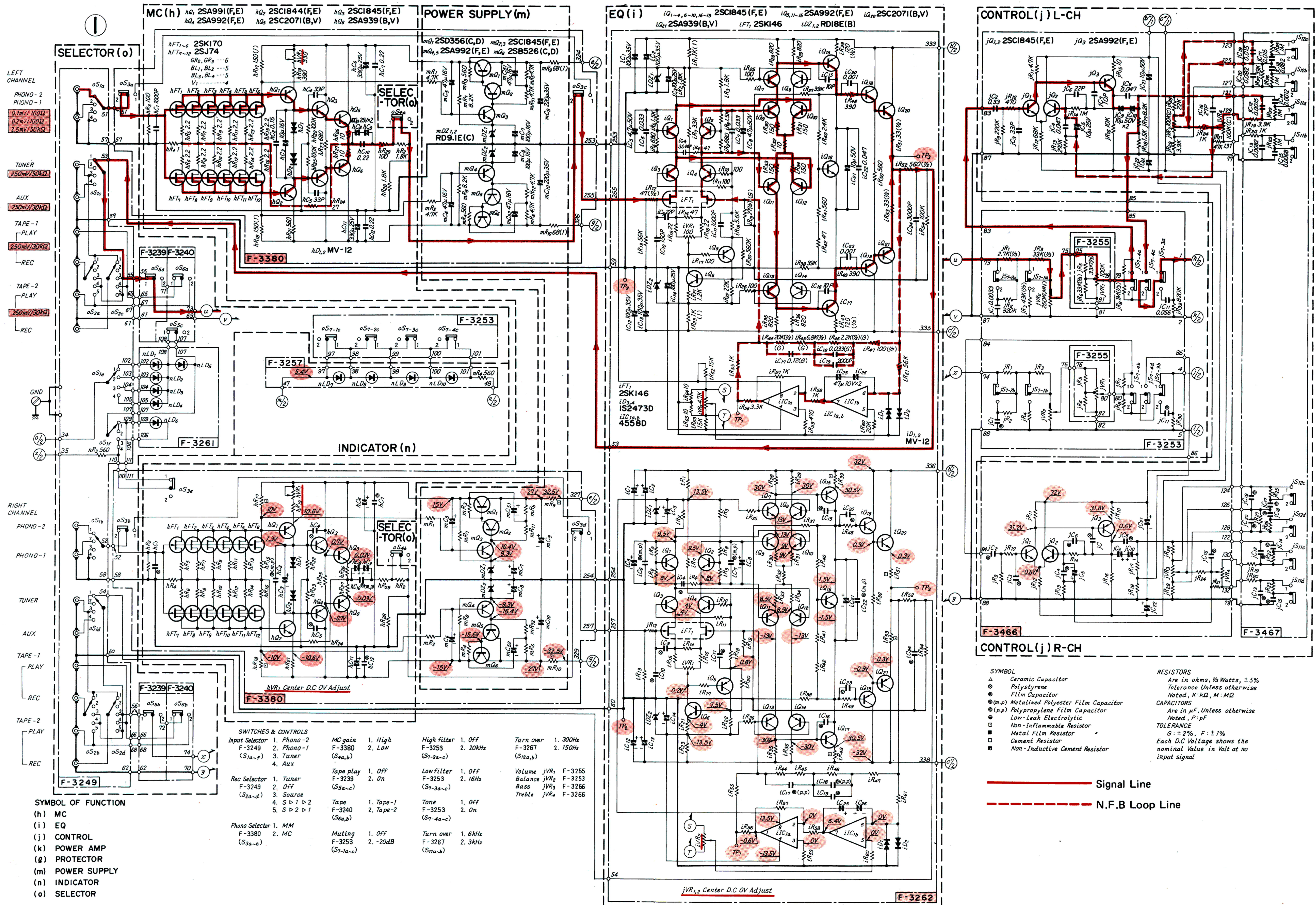


4-3. Bottom View



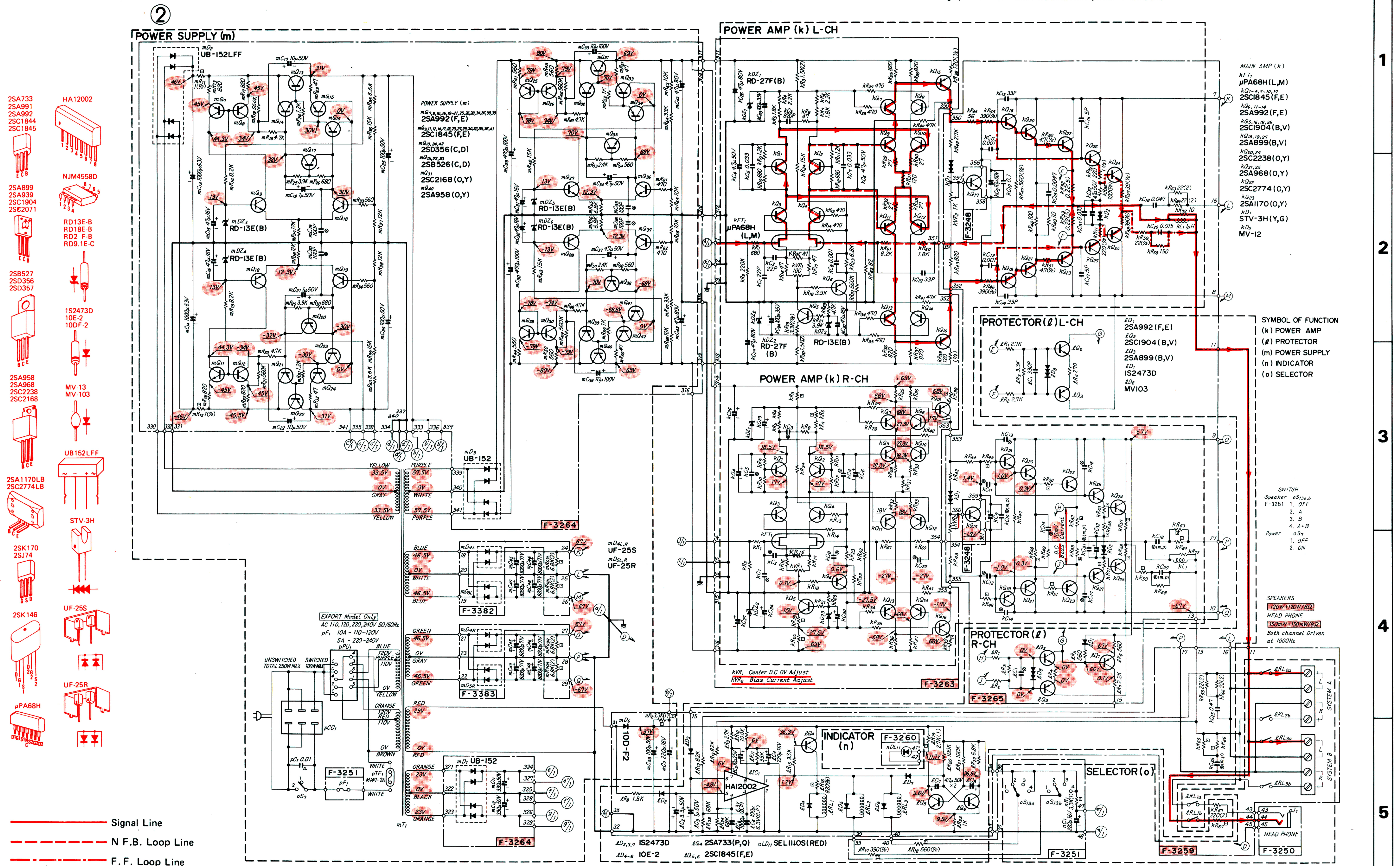
5. SCHEMATIC DIAGRAM 5-1. Pre Amp. Section

Design and specifications subject to change without notice for improvement.
 La présentation et les spécifications sont susceptibles d'être modifiées sans préavis par suites d'améliorations éventuelles.
 Änderungen, die dem technischen Fortschritt dienen, bleiben vorbehalten.



5-2. Power Amp. Section

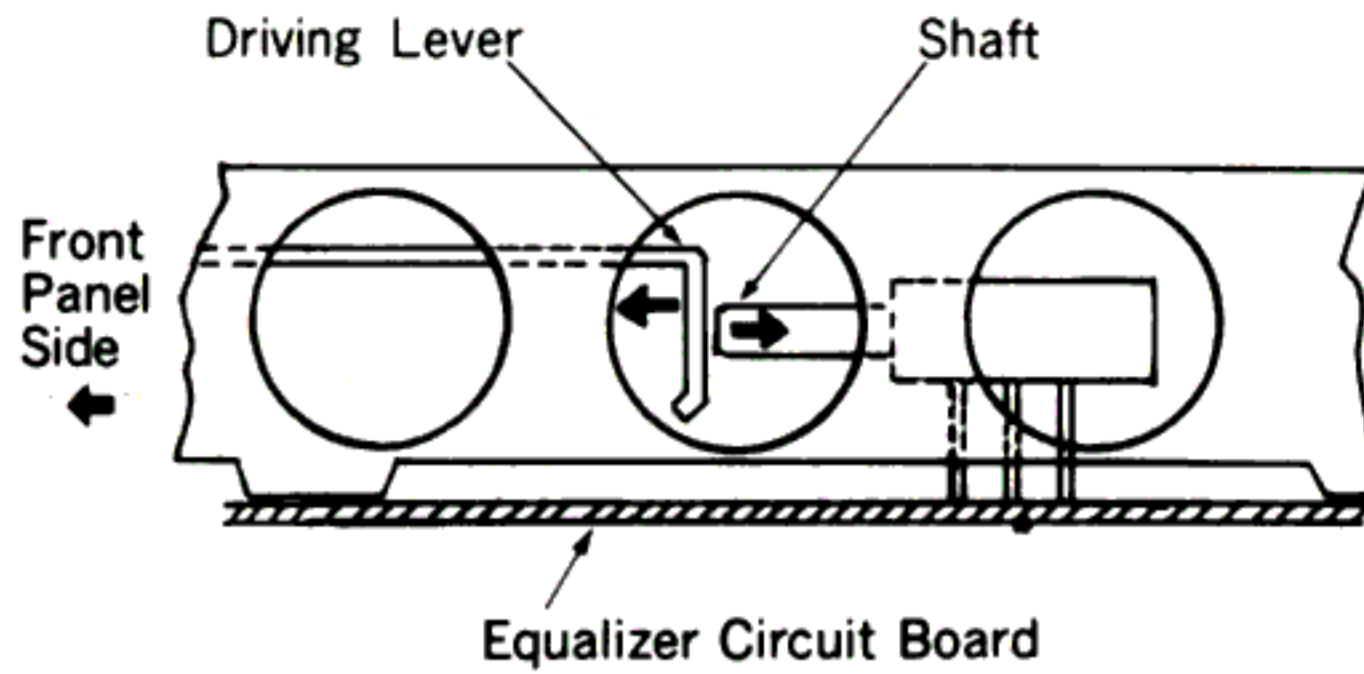
• Design and specifications subject to change without notice for improvement.
 • La présentation et les spécifications sont susceptibles d'être modifiées sans préavis par suites d'améliorations éventuelles.
 • Änderungen, die dem technischen Fortschritt dienen, bleiben vorbehalten.



1
2
3
4
5

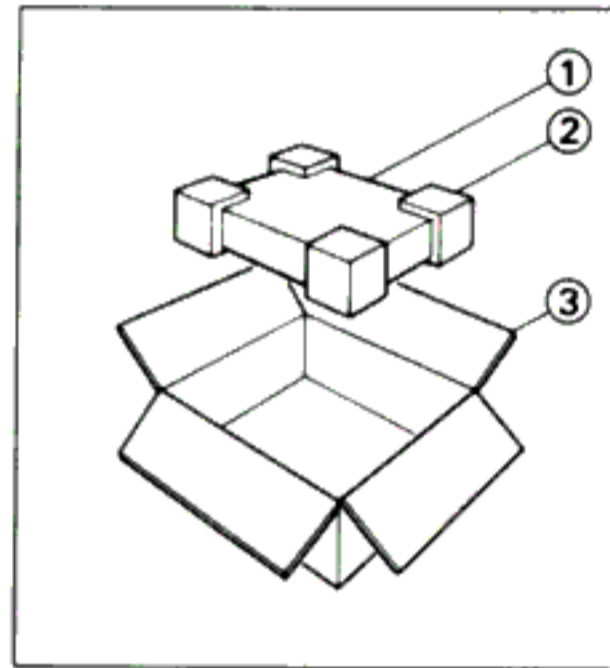
6. ATTACHMENT OF EQUALIZER CIRCUIT BOARD

1. Push in each shaft of phono selector and MC gain switch on the equalizer circuit board.
2. Keep pushing two driving levers with screw driver to front panel side. Then attach the board to chassis and tighten with mounting screws.
3. After this replacement, check if the push switch function properly.



7. PACKING LIST

Parts No.	Stock No.	Description
1	91167710	Vinyl Cover
2	07641100	Styrofoam Packing
3	07659700	Carton Case



8. ACCESSORY LIST

Stock No.	Description
07643700	Operating Instruction

The Sansui logo is written in a stylized, italicized, white serif font on a black rectangular background.

SANSUI ELECTRIC COMPANY LTD.:
SANSUI ELECTRONICS CORPORATION:

14-1, Izumi 2-chome, Suginami-ku, Tokyo 168 Japan PHONE: (03) 323-1111/TELEX: 232-2076
1250 Valley Brook Ave. Lyndhurst, N.J. 07071 U.S.A.
333 West Alondra Blvd. Gardena, California 90247 U.S.A.
3036 Koapaka St. Honolulu, Hawaii 96819 U.S.A.

SANSUI ELECTRONICS (U.K.) LTD.:
SANSUI ELECTRONICS G.M.B.H.:

Unit 10A, Lyon Industrial Estate, Rockware Avenue, Greenford, Middx UB6, OAA, England
Arabella center, 6 Frankfurt AM Main, Lyoner Strasse 44-48, West Germany

(SM1-17)

Printed in Japan (710830M) <Stock No. 36458400>